



25W (1/30 HP)

TERMINAL BOX TYPE INDUCTION MOTORS Frame size 80mm sq. (3.15 in. sq.)

Single-Phase, Three-Phase

BOX TYPE

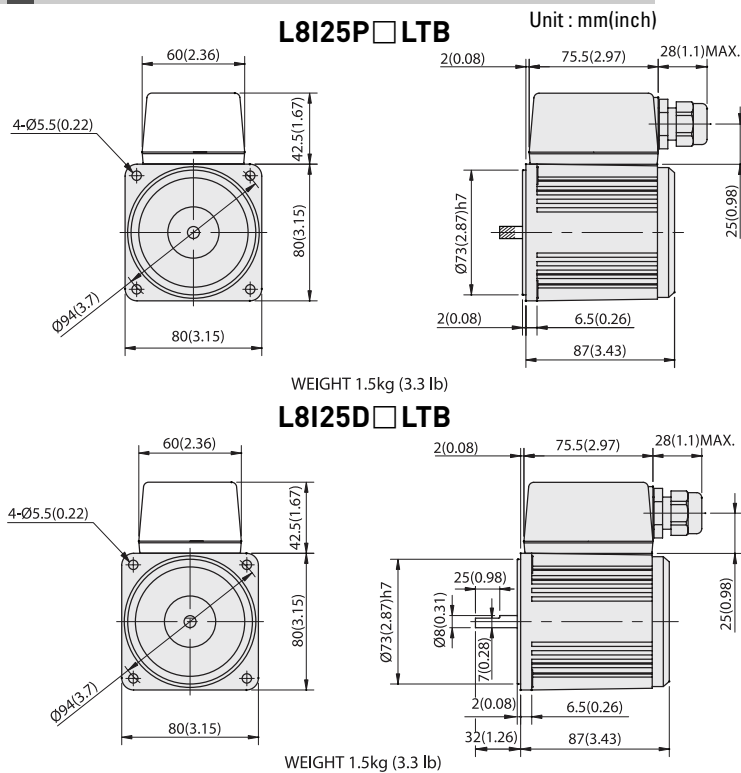
SPECIFICATIONS

CONTINUOUS DUTY, INSULATION CLASS A or E, 4POLES

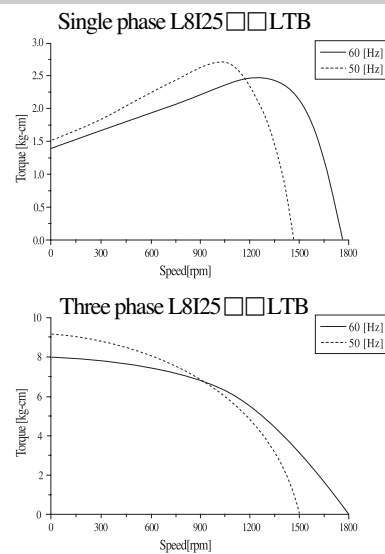
Model	Output		Voltage (V)	Frequency (Hz)	Rated					Starting Torque			Capacitor (μF)	
	(HP)	(W)			Input (W)	Current (A)	Torque			Speed (rpm)	(kg-cm)	(N-m)		(oz-in)
L8I25□CLTB	1/30	25	1∅100	50 60	60 60	0.57 0.52	1.95 1.6	0.191 0.157	27.08 22.22	1250 1550	1.25 1.25	0.123 0.123	17.36 17.36	6
L8I25□DLTB	1/30	25	1∅200	50 60	60 60	0.28 0.28	1.95 1.6	0.191 0.157	27.08 22.22	1250 1550	1.45 1.45	0.142 0.142	20.14 20.14	1.8
L8I25□BLTB	1/30	25	1∅220	60	65	0.3	1.6	0.157	22.22	1550	1.6	0.157	22.22	1.5
L8I25□ELTB	1/30	25	1∅115	60	60	0.55	1.6	0.157	22.22	1550	1.2	0.118	16.66	4
L8I25□XLTB	1/30	25	1∅220~240	50	60	0.25	1.95	0.191	27.08	1250	1.25	0.123	17.36	1.5
L8I25□ULTB	1/30	25	3∅200	50 60	70 70	0.26 0.24	1.9 1.6	0.186 0.157	26.39 22.22	1300 1550	5.9 4.7	0.578 0.461	81.93 65.27	-
L8I25□TLTB	1/30	25	3∅200~230	50 60	70 70	0.3 0.25	1.85 1.55	0.181 0.152	25.69 21.52	1350 1600	7.7 6.1	0.755 0.598	106.93 84.71	-
L8I25□SLTB	1/30	25	3∅380~415	50 60	70 70	0.27 0.23	1.85 1.55	0.181 0.152	25.69 21.52	1350 1600	7.7 6.1	0.755 0.598	106.93 84.71	-
L8I25□RLTB	1/30	25	3∅440	50 60	70 70	0.16 0.12	1.85 1.55	0.181 0.152	25.69 21.52	1350 1600	7.7 6.1	0.755 0.598	106.93 84.71	-

- * Model in grey screen represents the motors with THERMALLY PROTECTED according to UL regulation.
- * Model in dark grey screen represents the motors with THERMALLY PROTECTED according to CE regulation.
- * In case of some models certificated for export, the special cord like CE or UL is added after the existing model no. ex) L9I60□XH-CE, L9I60□EH-UL.
- * Insulation class for motors which acquired certificates for export is B.

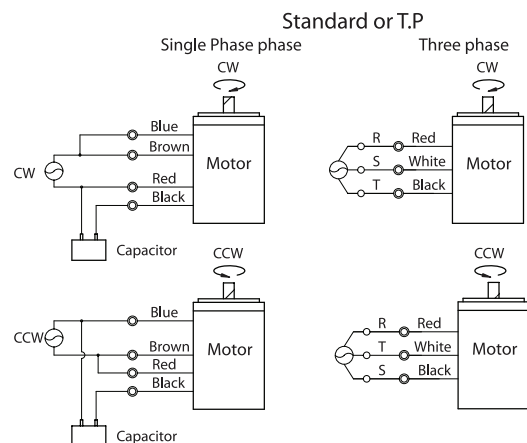
DIMENSIONS



SPEED-TORQUE CURVE



CONNECTION DIAGRAMS



The direction of rotation is seen from the end of motor shaft.